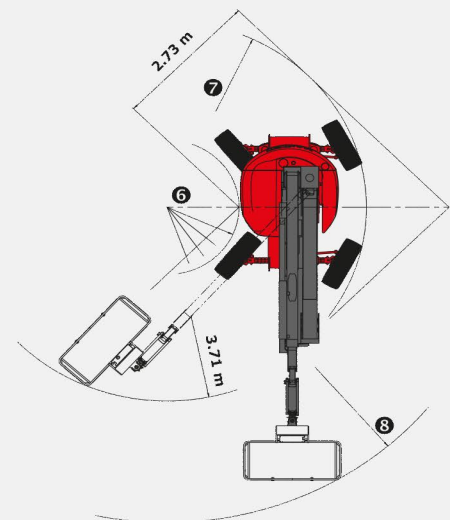
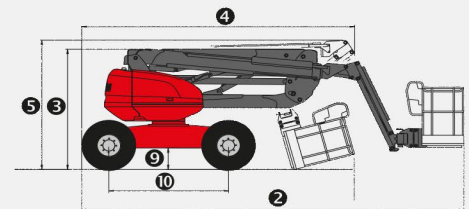
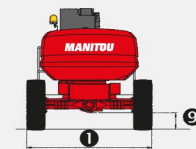
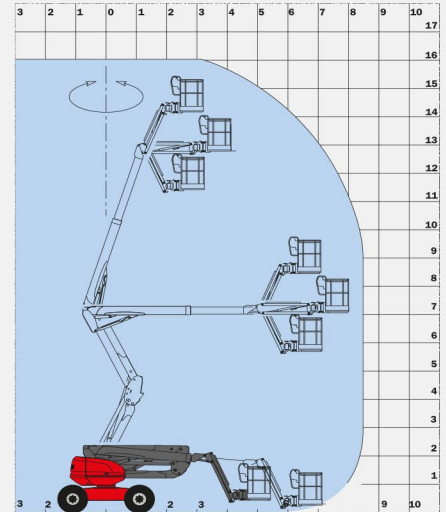




160 ATJ +

	160 ATJ +
Working height	16.25 m
Platform height	14.25 m
Articulation height	7.00 m
Outreach	8.95 m
Jib tilting	+70°/-70°
Basket rotation	+90°/-90°
Turret rotation	350°
Capacity	400 kg
Number of persons (indoor/outdoor)	2/2
Basket (width and length)	2.30 x 0.93 m
1. Overall width	2.30 m
2. Overall length	6.93 m
3. Overall height	2.37 m
4. Overall length when folded	4.94 m
5. Overall height when folded	2.70 m
6. Inside turning circle	1.32 m
7. Outside turning circle	3.68 m
8. Turning Radius (basket)	6.39 m
9. Ground clearance	42.5 cm
10. Wheelbase	2.20 m
Speed of forward movement	6 kph
Working speed	0.80 kph
Maximum slope accessible	40 %
Maximum tilt	5° - 9 %
Tyres	18"
Driving wheels	4
Steering/directional wheels	4
Weight (varies according to options & standards of the country)	8100 kg
Engine	KUBOTA V2403-M
Power	45 HP
Environmental noise (LWA)	101 dB



Standard equipment

- Large Basket
- Proportional levers
- 4 simultaneous movements
- 4 wheel drive
- 4 wheel steer
- Wheels crab position
- Foam filled tyres
- Differential Lock
- Front Axle limited slip differential
- On Board Diagnostics
- Hour meter
- Fuel gauge with low level warning
- Tool box
- Protective cover with optional locking
- Horn
- Beacon
- Audible and visual display alarm for excessive slope
- Code Protected Machine Set Up
- Hooks for sling loading/lifting
- Electric Pump
- Predisposition 230V
- Dead man pedal

Optional equipment

- Oscillating Axle
- Continuous Rotation
- Onboard generator (3.50 kVA)
- 230V power input with differential circuit-breaker
- High capacity battery